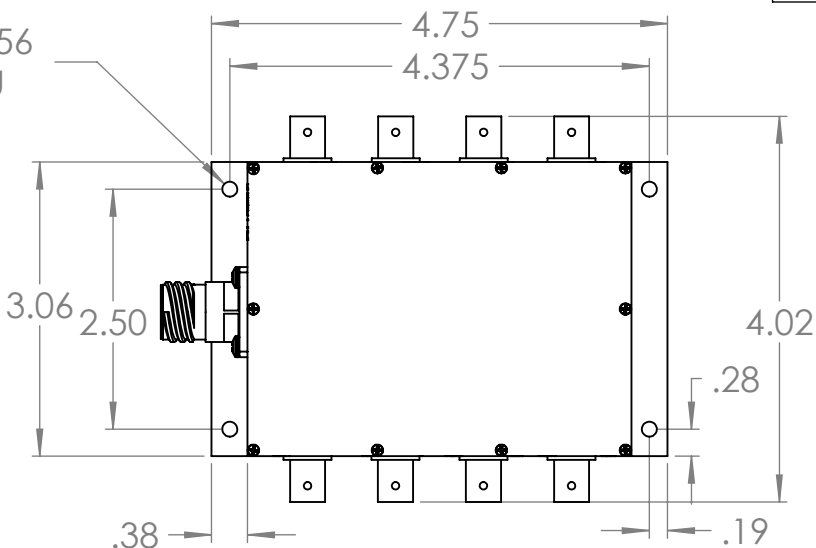
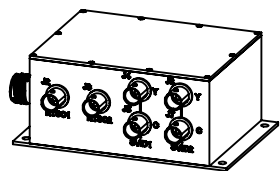


| REVISIONS |          |                 |           |
|-----------|----------|-----------------|-----------|
| REV       | ECO      | DESCRIPTION     | DATE      |
|           | EC227-00 | INITIAL RELEASE | 5/27/2020 |

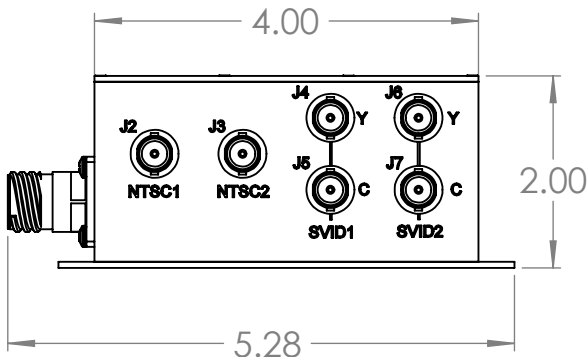
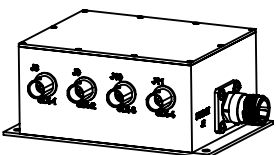
4X Ø .156 THRU



FRONT VIEW



REAR VIEW



J1 PWR IN  
D38999/20WA98PN

| PIN | SIGNAL        |
|-----|---------------|
| A   | +28VDC IN     |
| B   | +28VDC RETURN |
| C   | CHASSIS GND   |

J2-J3 NTSC IN  
BNC

| PIN    | SIGNAL      |
|--------|-------------|
| CENTER | VIDEO IN    |
| SHIELD | CHASSIS GND |

J4 SVID1; J6 SVID2  
BNC

| PIN    | SIGNAL   |
|--------|----------|
| CENTER | Y SIGNAL |
| SHIELD | Y GND    |

J5 SVID1; J7 SVID2  
BNC

| PIN    | SIGNAL   |
|--------|----------|
| CENTER | C SIGNAL |
| SHIELD | C GND    |

J8-J11 SDI OUT  
BNC

| PIN    | SIGNAL      |
|--------|-------------|
| CENTER | VIDEO OUT   |
| SHIELD | CHASSIS GND |

NOTES:

- INPUT POWER: 28VDC, <TBD>W NOMINAL
- HOUSING: 5052-H32, 6061-T6, OR 6063-T5 ALUMINUM WITH CHEM-FILM FINISH PER MIL-C-5541 CLASS 3.
- FINISH: OPTIONAL CARC WHITE PAINT EXCEPT FOR SCREWS AND CHASSIS BOTTOM. BLACK LETTERING ON BOTH PAINTED AND UNPAINTED CONFIGURATIONS.
- WEIGHT: <TBD> LB NOMINAL

**PRELIMINARY - NOT REVIEWED**

|  |         |
|--|---------|
| CAD-MAINTAINED. CHANGES SHALL BE INCORPORATED VIA DESIGN ACTIVITY. |         |
| UNLESS OTHERWISE SPECIFIED, DIMENSIONS ARE IN INCHES [mm]          |         |
| TOLERANCES:  | ANGLES: |
| .XXX": ±0.005" [±0.12mm]   | ±1.0°   |
| .XX": ±0.02" [±0.5mm]  |         |
| .X": ±0.1" [±2.5mm]  |         |
| MATERIAL: SEE NOTES  |         |
| FINISH: SEE NOTES  |         |
| INTERPRET DRAWING IAW ASME Y14.100                                 |         |

|   |            |
|---|------------|
| <b>PROPRIETARY AND CONFIDENTIAL</b>   |            |
| THE INFORMATION CONTAINED IN THIS DRAWING IS THE SOLE PROPERTY OF EON INSTRUMENTATION, INC. ANY REPRODUCTION IN PART OR AS A WHOLE WITHOUT THE WRITTEN PERMISSION OF EON INSTRUMENTATION, INC. IS PROHIBITED. |            |
| APPROVALS:  | DATE:      |
| DRAWN: CA   | 05/27/2020 |
| CHECKED:  |            |
| ENG APPR.:  |            |

|  |           |              |     |
|--|-----------|--------------|-----|
| <b>EON Instrumentation, Inc.</b><br>15531 Cabrito Road • Van Nuys, CA 91406<br>Tel: +1 (818) 781-2185 • CAGE Code: 221A8 |           |              |     |
| TITLE: ADV-2NTSDI-2SVSDI<br>Outline & Mounting   |           |              |     |
| SIZE   | PART NO.  | DWG. NO.     | REV |
| A  | 22710-920 | 22710-300    | IR  |
| SCALE: 1:2   |           | SHEET 1 OF 1 |     |

DWG. NO. 22710-300 REV SHEET IR 1