

6

5

4

3

2

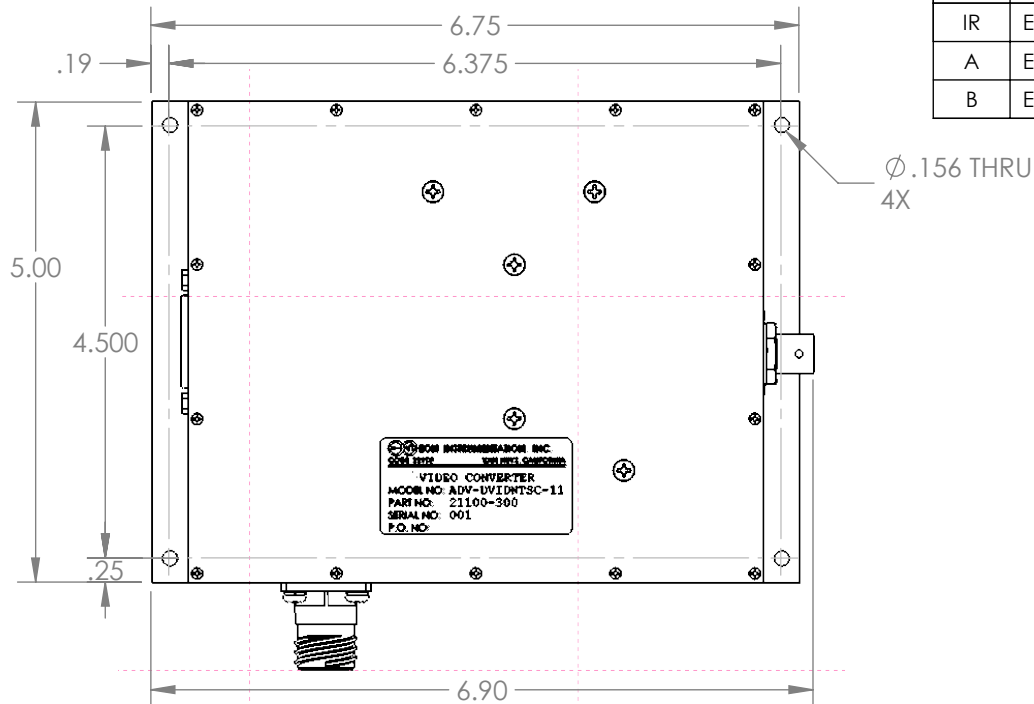
DWG. NO. 21100-300 REV B SHEET 1

1

| REVISIONS | | | |
|-----------|----------|---|------------|
| REV. | ECO | DESCRIPTION | DATE |
| IR | EC211-00 | INITIAL RELEASE | 07/11/2019 |
| A | EC211-01 | CHASSIS DESIGN UPDATE | 08/29/2019 |
| B | EC211-02 | UPDATED CONNECTOR AND MOUNTING HOLE POSITIONS | 10/09/2019 |

D

D



PWR
D38999/20WA98PN

| PIN # | SIGNAL |
|-------|-----------------|
| A | + 28 VDC IN |
| B | + 28 VDC RETURN |
| C | CHASSIS GND |

NTSC OUT
031-70016

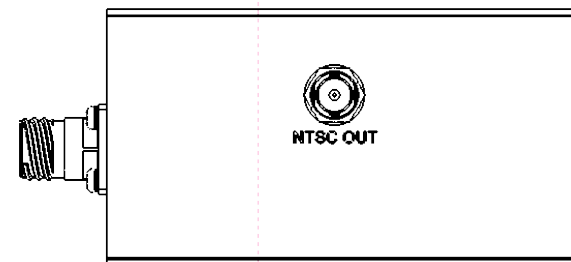
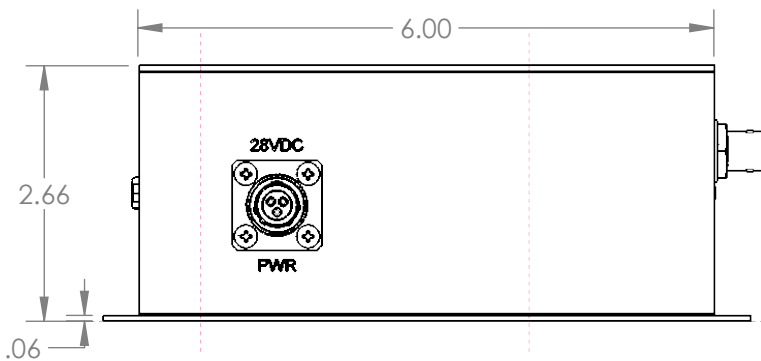
| CONN # | PIN | SIGNAL |
|----------|--------|--------------|
| NTSC OUT | CENTER | SDI VIDEO IN |
| | SHIELD | CHASSIS GND |

C

C

B

B



A

A

NOTES:

- INPUT POWER: 28VDC, 15W NOMINAL
- HOUSING: 5052-H32, 6061-T6 ALUMINUM WITH CHEM-FILM FINISH PER MIL-C-5541 CLASS 3
- FINISH: BLACK LETTERING
- WEIGHT: 2.2 LB NOMINAL

CAD-MAINTAINED. CHANGES SHALL BE INCORPORATED VIA DESIGN ACTIVITY.
UNLESS OTHERWISE SPECIFIED, DIMENSIONS ARE IN INCHES [mm]
TOLERANCES: .XXX": ±0.005" [±0.12mm]
.XX": ±0.02" [±0.5mm]
.X": ±0.1" [±2.5mm]
ANGLES: ±1.0°
MATERIAL: SEE NOTES
FINISH: SEE NOTES
INTERPRET DRAWING IAW ASME Y14.100

PROPRIETARY AND CONFIDENTIAL
THE INFORMATION CONTAINED IN THIS DRAWING IS THE SOLE PROPERTY OF EON INSTRUMENTATION, INC. ANY REPRODUCTION IN PART OR AS A WHOLE WITHOUT THE WRITTEN PERMISSION OF EON INSTRUMENTATION, INC. IS PROHIBITED.
APPROVALS: DRAWN: NCF DATE: 10/09/2019
CHECKED: JB DATE: 10/09/2019
ENG APPR.:

EON Instrumentation, Inc.
15531 Cabrito Road • Van Nuys, CA 91406
Tel: +1 (818) 781-2185 • CAGE Code: 22198

TITLE: ADV-DVIDNTSC-11
OUTLINE & MOUNTING

| | | | |
|------|-----------|-----------|-----|
| SIZE | PART NO. | DWG. NO. | REV |
| A | 21100-300 | 21100-300 | B |

SCALE: 1:2 SHEET 1 OF 2

DWG. NO. 21100-300 REV SHEET B 1

6

5

4

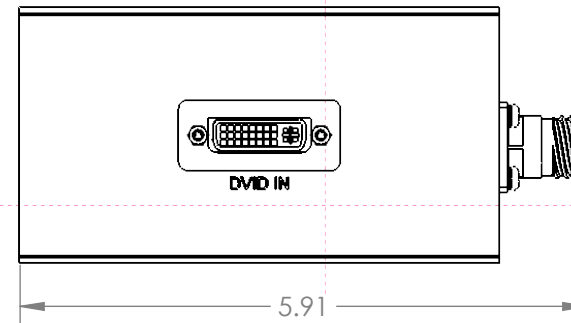
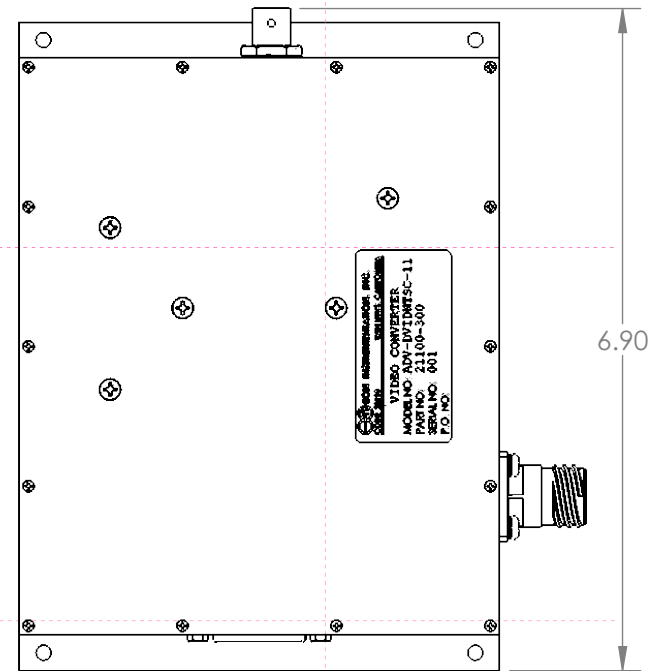
3

2

1

DVID IN
74320-1007

| PIN# | SIGNAL | PIN# | SIGNAL |
|------|---------------------|------|---------------------------|
| 1 | TMDS D2- (R-) | 13 | TMDS D3+ (B+) |
| 2 | TMDS D2+ (R+) | 14 | +5V |
| 3 | TMDS D2/4 SHIELD | 15 | GND |
| 4 | TMDS D4- (G-) | 16 | HOT PLUG DETECT |
| 5 | TMDS D4+ (G+) | 17 | TMDS D0- (B-) |
| 6 | DDC CLOCK | 18 | TMDS D0+ (B+) |
| 7 | DDC DATA | 19 | TMDS D0/5 SHIELD |
| 8 | ANLG VERT SYNC | 20 | TMDS D5- (R-) |
| 9 | TMDS D1- (G-) | 21 | TMDS D5+ (R+) |
| 10 | TMDS D1+ (G+) | 22 | TMDS CLOCK SHIELD |
| 11 | TMDS D1/3 SHIELD | 23 | TMDS CLOCK+ DIG CLOCK+ |
| 12 | TMDS D3- (B-) | 24 | TMDS CLOCK- DIG CLOCK- |



| | | | |
|--|------------------------------|---|-----------------|
| PROPRIETARY AND CONFIDENTIAL THE INFORMATION CONTAINED IN THIS DRAWING IS THE SOLE PROPERTY OF EON INSTRUMENTATION, INC. ANY REPRODUCTION IN PART OR AS A WHOLE WITHOUT THE WRITTEN PERMISSION OF EON INSTRUMENTATION, INC. IS PROHIBITED. | | TITLE: ADV-DVIDNTSC-11 OUTLINE & MOUNTING | |
| SIZE A | PART NO. 21100-300 | DWG. NO. 21100-300 | REV B |
| SCALE: 1:2 | | SHEET 2 OF 2 | |